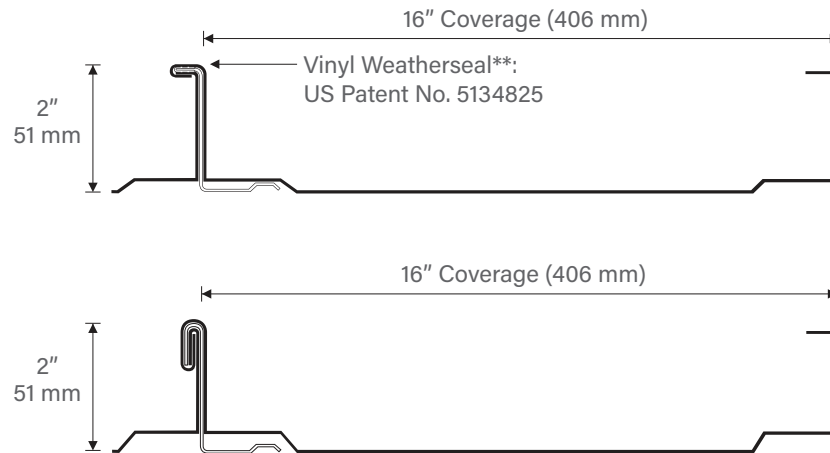


Berridge Continuous Zee Rib

FOR USE WITH ZEE-LOCK & DOUBLE-LOCK ZEE-LOCK PANELS



Materials

24 Gauge Steel

Installation

- Install per Berridge Installation Details
- Attachment: Use (1) #12-11 Type "A" fastener for connection to plywood substrate, (1)#14-13 DP1 self-drilling fastener for connection to steel deck or (2) ¼-14 DP3 self-drilling fastener to steel supports
- Spacing: 16" o.c. maximum into 1/2" plywood or 22 GA steel deck or 60" o.c. maximum to 16 GA steel supports
- Shown with optional Vinyl Weatherseal available for Single-lock ONLY
- Vinyl Weatherseal required for Single-Lock for all watertightness warranty or open frame projects
- Typically sold in 10' and 20' lengths
- Not for use with Aluminum

Note:

*If specifications, local codes, or other regulations dictate specific wind uplift requirements, consult Berridge's Engineering Department at (800) 669-0009. It may be necessary to use a different clip, clip spacing, fastener, fastener spacing, or assembly.

** Vinyl weatherseal required for watertightness warranty

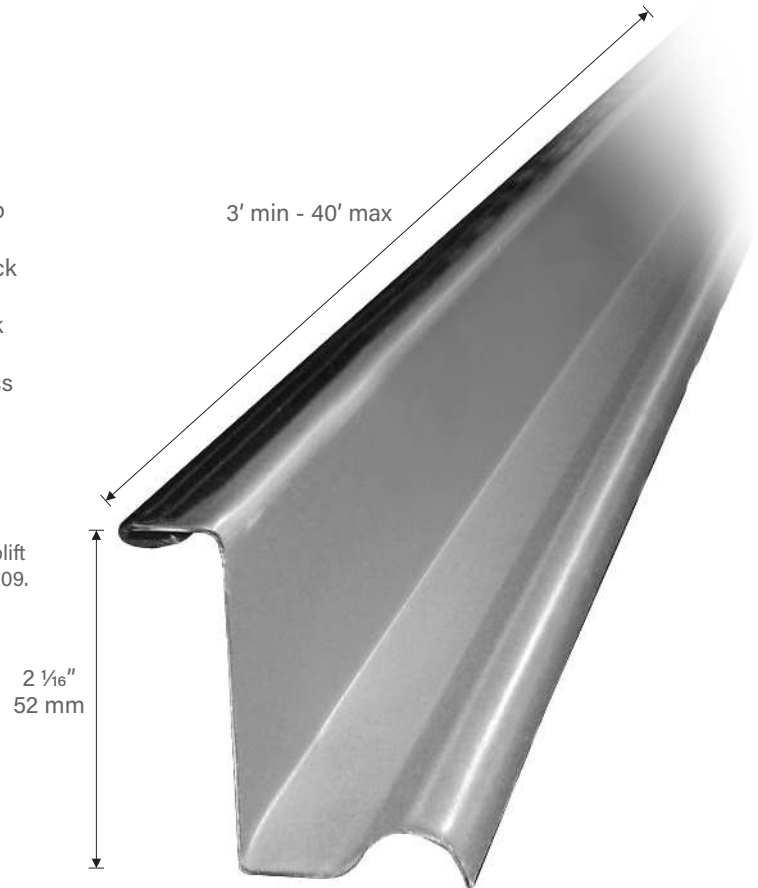


Image shown with Vinyl Weatherseal



CORPORATE HEADQUARTERS

2610 Harry Wurzbach Road
San Antonio, TX 78209
(800) 669-0009
www.Berridge.com

All information subject to change without notice. See website for details, specifications and Watertightness Warranty requirements.

© Berridge Manufacturing Company 2019 • 800-669-0009 • www.berridge.com